

WEDA PUMP

World leader in professional submersible drainage pumps

SPAREPARTS CATALOGUE

RL 4150



SPARE PARTS CATALOGUE

RESERVDLSTÄLLNING

Följande uppgifter ska lämnas vid beställning av reservdelar för att undvika leveransfel :

1. Maskintyp.
2. Vältens serinumner.
3. Antal av önskad reservdel.
4. Reserdelens artikelnummer.
5. Reservedelens benämning.
6. Måttuppgifter vid beställning av metervara.

ERSATZTEILBESTELLUNG

Zur Vermeidung von Fehllieferungen sind bei der Bestellung von Ersatzteilen folgende Angaben zu machen :

1. Mashinentyp.
2. Herstellungsnummer.
3. Bestellmenge. (Quantity)
4. Ersatzteilbenennung. (Part N°)
5. Ersatzteilbenennung. (Description)
6. Massangaben bei Bestellung von Meterware.

PEDIDO DE RECAMBIOS

Para evitar errores en las entregas, deberá indicarse los siguientes datos al hacer un pedido de recambios :

1. Tipo de máquina.
2. Número de serie.
3. Cantidad de piezas deseadas. (Quantity)
4. Número de artículo de la pieza de recambio. (Part N°)
5. Denominación de la pieza. (Description)
6. Indíquese la medida al solicitar un artículo que se expide por metros.

RESERVEDELEN BESTELLEN

Om foutieve leveringen te voorkomen, vermeld bij uw bestelling de volgende informatie:

1. Type van de machine (pomp)
2. Machine serienummer
3. Aantal benodigd
4. Onderdeel nummer(s)
5. Onderdeel omschrijving
6. Afmetingen indien per lengte besteld wordt.

ORDERING SPARE PARTS

To avoid errors in delivery, please give the following information when ordering spare parts :

1. Type of machine.
2. Machine serial number.
3. Quantity required.
4. Part number.
5. Parts description.
6. Dimensions when ordering per length.

ORDINI DI RICAMBI

Per evitare errori nelle consegne di ricambi, Vi preghiamo di comunicarci le seguenti informazioni al momento dell'ordinazione :

1. Tipo di macchina.
2. Numero di serie della macchina.
3. Quantità dei pezzi desiderati. (Quantity)
4. Numero di codice del pezzo. (Part N°)
5. Descrizione del pezzo di ricambio. (Description)
6. Misura, in caso di ordine per metro.

COMMANDE DE PIÈCES DE RECHANGE

Les indications suivantes doivent être fournies lors de la commande de pièces de rechange, afin d'éviter toute erreur de livraison :

1. Type de machine.
2. Numéro de série.
3. Quantité désirée de pièce de rechange. (Quantity)
4. Numéro de la pièce de rechange. (Part N°)
5. Description de la pièce de rechange. (Description)
6. Longueur en cas de commande par mètre.

SPARE PARTS

Note : To place spare parts order, use :

- The serial number of the machine
- The description and part number;

RL4150											
Ref	Designation	P/N	Qty			Ref	Designation	P/N	Qty		
			LH	NH	HH				LH	NH	HH
1	Handle complete	W253016	1	1	1	60	Bearing unit Incl pos 58,59	W254038	1	1	1
2	Data plate (CE)	W743583	1	1	1	61	O-ring	W65105	1	1	1
	Data plate (CSA)	W743612	1	1	1	62	Lower seal *	W254077	1	1	1
3	Cable 4x2.5mm ² 20m	W204082	1	1	1		Lower seal **	W743564	1	1	1
	Cable 4x4 mm ² 20m	W273089	1	1	1	63	Seal holder *	W254342	1	1	1
	Cable CSA SOW 4xAWG14 20m	W367177	1	1	1		Seal holder **	W743566	1	1	1
4	Rivet	W65430	4	4	4	64	O-ring	W65175	2	2	2
5	Nut	W84209	2	2	2	65	Bearing bracket	W252339	1	1	1
6	Contacteur cover	W252039	1	1	1	66	Seal clamp	W254344	1	1	1
	Contacteur cover for NVB	W252210	1	1	1	67	Oil bag	W253341	1	1	1
7	O-ring	W254073	2	2	2	68	Seal clamp	W254345	1	1	1
9	Nut	W84210	12	12	16	69	Impeller 50Hz	W253101	1	-	-
10	Washer	W51170	4	4	16		Impeller 60Hz	W253134	1	-	-
11	Teflon washer	W254415	2	2	2	70	Impeller 50Hz	W253009	-	1	-
12	Stud bolt	W69623	2	2	2		Impeller 60Hz	W253133	-	1	-
13	Top bracket	W714022	1	1	1	71	Impeller 50Hz	W714023	-	-	1
14	Cable sleeve 4x2.5 mm ²	W204108	1	1	1		Impeller 60Hz	W714026	-	-	1
	Cable sleeve 4x4 mm ²	W209560	1	1	1	73	Outer casing	W251218	1	1	1
15	Cable inlet cpl 4x4mm ² Incl. Pos 19,20,21,22,23 and 25	W209563	1	1	1	74	O-ring	W254085	1	1	2
16	Cable inlet cpl 4x2.5mm ² Incl. Pos 17,18,21,22,14 and26	W204089	1	1	1	75	Diffusor	W252102	1	-	-
27	Discharge gasket	W743466	1	1	1	76	Diffusor	W252087	-	1	-
28	O-ring	W65121	2	2	2	77	Strainer	W263031	1	1	-
29	Stud bolt	W254304	2	2	2	78	Distance tube	W254223	4	-	4
31	Inner casing	W714001	1	1	1	79	Distance tube	W743597	-	4	-
32	Discharge 4" for hose	W203564	1	1	1	80	Base plate	W252221	1	1	-
	Discharge 4" BSP thread	W203482	1	1	1	81	Diffusor	W251351	-	-	1
	Discharge 4" NPT thread	W203572	1	1	1	82	O-ring	W65136	-	-	1
	Discharge 3" for hose	W203562	1	1	1	83	Plug	W254429	-	-	4
	Discharge 3" BSP thread	W203484	1	1	1	84	Stud bolt	W254359	-	-	4
	Discharge 3" NPT thread	W203570	1	1	1	85	Trimming spacer	W214194	-	-	12
33	Stud bolt	W69642	2	2	2	86	Diffusor centre	W714024	-	-	1
34	Stud bolt	W254266	4	4	-	87	Strainer	W253356	-	-	1
	Stud bolt	W254358	-	-	4	88	Base plate	W252354	-	-	1
35	Stator See page 12	-	-	-	-	94	Screw	W78666	2	2	-
36	O-ring	W65024	1	1	1	97	Screw	W78666	3	3	3
37	Ball bearing	W61001	1	1	1	98	Contacteur See page 12	-	-	-	-
38	Oil 1,5 l	W367280	1	1	1	109	Wiring diagram 3-phases	W740046	1	1	1
39	Rotor	W724059	1	1	1	110	Wiring diagram Y 3-phases	W740047	1	1	1
40	O-ring	W65033	1	1	1	112	Packing box	W254408	2	2	2
41	Oil plug	W254042	2	2	2	113	Washer	W294126	4	4	4
42	O-ring	W65006	2	2	2	114	Screw	W294127	2	2	2
43	Seal unit complete	W253362	1	1	1	115	Contacteur holder	W733434	1	1	1
44	Screw	W75659	4	4	4	116	Electrode cpl.	W208106	1	1	-
45	Wear plate	W252021	1	1	1	118	Washer	W209673	2	2	-
46	Driving sleeve	W254033	1	1	1	119	Short circuit NVB	W209674	1	1	-
47	Support washer	W254075	1	1	1	121	Electronic unit NVB	W209805	1	1	-
48	Trimming spacer	W254090	8	8	8		Electronic unit NVB 500V	W209930	1	1	-

RL4150 (continued)

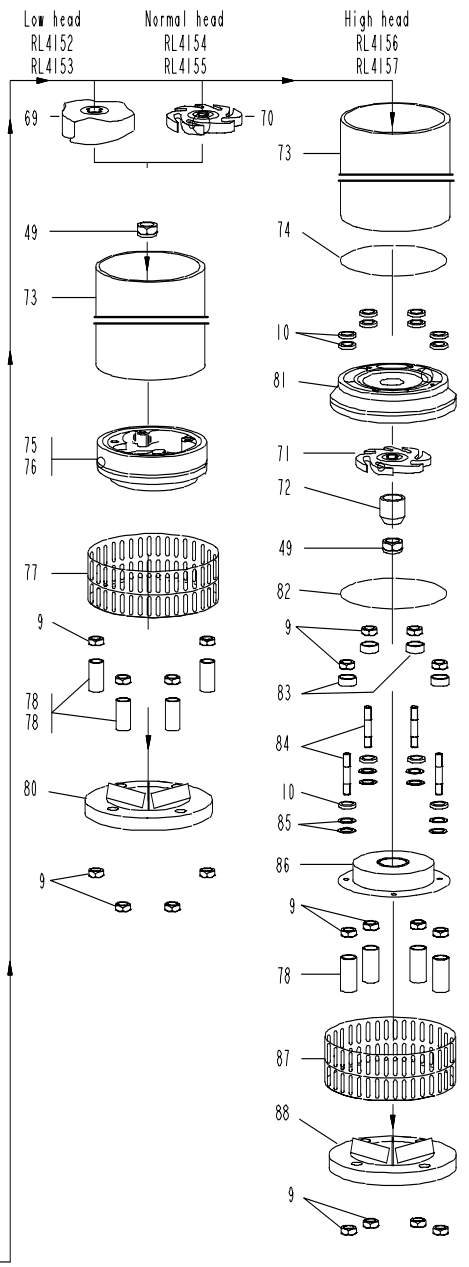
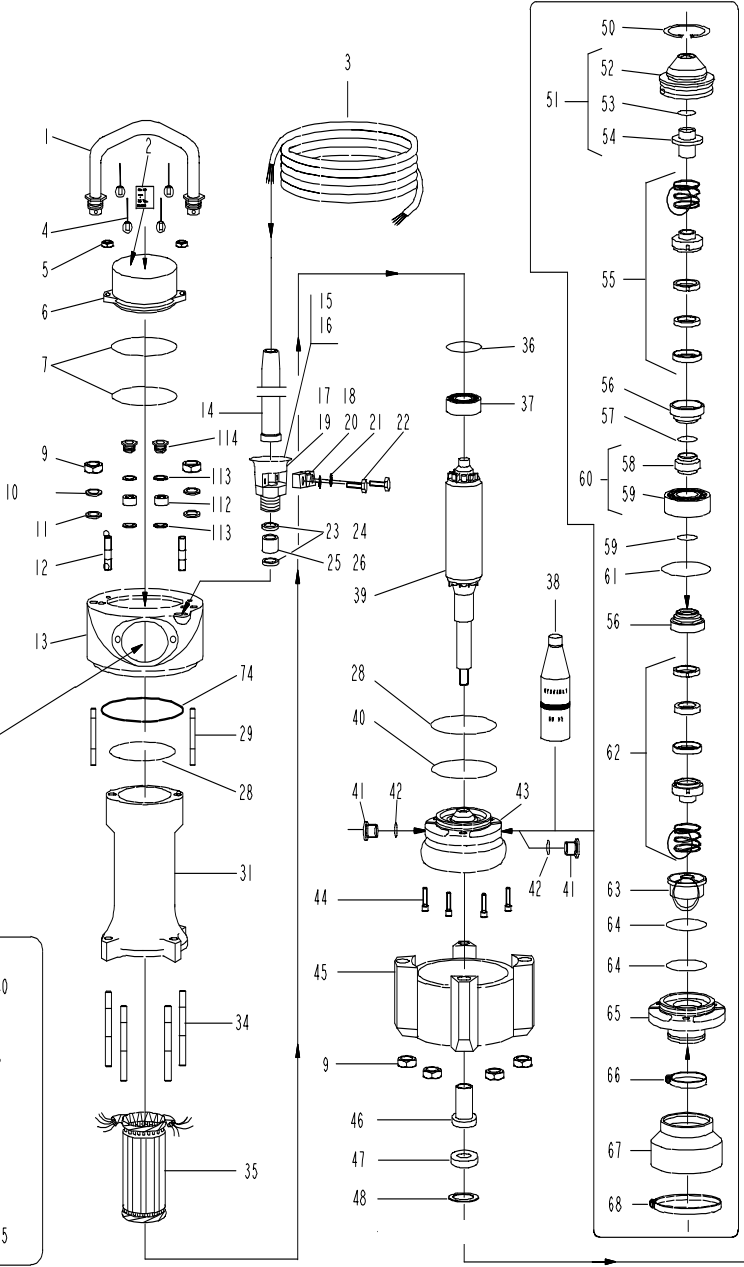
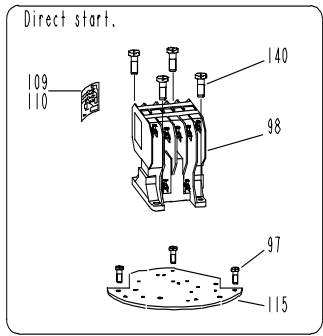
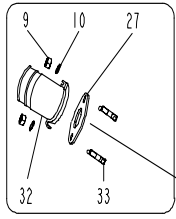
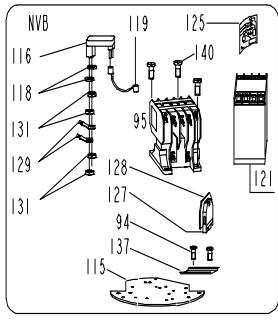
Ref	Designation	P/N	Qty			Ref	Designation	P/N	Qty		
			LH	NH	HH				LH	NH	HH
49	Nut	W254232	1	1	1		Electronic unit NVB 440V 60Hz	W367186	1	1	-
50	Circlips	W50671	1	1	1		Electronic unit NVB 220V 50Hz	W367192	1	1	-
51	Seal casing cpl Incl pos 52,53 54 *	W254363	1	1	1		Electronic unit NVB 240V 60Hz	W367193	1	1	-
	Seal casing cpl Incl pos 52,53 54**	W743568	1	1	1	125	Wiring diagram NVB	W209865	1	1	-
53	O-ring	W65096	1	1	1	127	Terminal block	W254490	1	1	-
55	Upper seal *	W254063	1	1	1	128	Sectional disc	W254491	1	1	-
	Upper seal **	W743563	1	1	1	129	Fat pin	W50331	2	2	-
56	Holder	W254031	2	2	2	131	Nut	W84205	4	4	-
57	O-ring	W65016	2	2	2	137	NVB holder	W214871	1	1	-
58	Bearing bushing	W254032	1	1	1	140	Screw	W78667	4	4	4
59	Ball bearing	W61010	1	1	1						

* Pumps with manufacturing N° below 1971 .

** Pumps with manufacturing N° above 2000 .

STATOR and CONTACTOR Part Numbers

Power supply	Stator	Contacteur complete	Stator Unit (31 + 35)
380-400V - 3 - 50Hz	W724000	W743623	W743475
415V-3-50Hz	W724000	W743623	W743475
440-460V - 3 - 60Hz	W724000	W743623	W743475
500V - 3 - 50Hz	W724018	W367141	W743470
220V - 3 - 50Hz	W724000	W367145	W743475
230/400V - 3 - 50Hz	W724000	W367178	W743475



WEDA PUMP

World leader in professional submersible drainage pumps

page left intentionally blank for your convenience.



Delta Pompen B.V.

Rigaweg 17
9723 TE Groningen
The Netherlands
Tel.: +31 (0)50-2072380

E-mail: info@wedapump.com
Internet: <http://www.wedapump.com>

SERVICE AND GUARANTEE.
WEDAPUMP.COM is represented worldwide by a well-established service organization. Contact your local WEDAPUMP sales office if you require more information about servicing. Or left mentioned address.

wedapump.com reserves the right to change specifications without notice