

# RL 4140, 50Hz

## Electric submersible pump

### Specifications

Portable electric submersible pump for dewatering of construction sites, mines, flooded areas etc. Designed for handling liquid with abrasive particles. Prot class IP68

### Pump Types

RL 4144 Medium head, 3-phase

### Electric Motor

3-phase: Squirrel cage induction motor with built-in contactor.  
Insulation: Class F (+155C), IEC 85

Data	RL 4140	3~
Rated Output	kW	3.0
Rated Current A	230v	10
	400v	5.3
	500v	4.4
Shaft speed	rpm	2900

*Other voltage upon request*

### Motor Protection

Thermal switch in each winding (+135 degree C)

### Cable

Oil and wear resistant rubber cable type HO7RN-F  
15m 4x1.5mm<sup>2</sup>

### Shaft Seal

Double seals with oil compartment  
Primary seal: Silicon carbide against silicon carbide.  
Secondary seal: Lip seal

### Bearings

Single-row ball bearing with C3 clearance

### Materials

Castings: Aluminium  
Outer-casing: Aluminium  
Shaft: Stainless steel  
Fasteners: Stainless steel  
Impeller: Cr-alloyed white cast iron, 55Rc  
Wear parts: Natural rubber

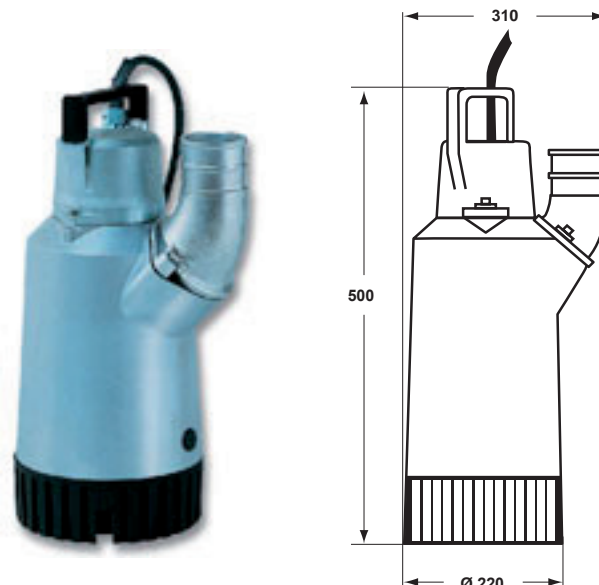
### Discharge connection

3" std, 4" opt, hose, BSP or NPT

### Accessories

Low suction collar  
Float switch  
Zinc anodes  
Epoxy Coating  
Stainless steel strainer  
Quick coupling type 1, 2.5"

**WEDA PUMP**  
World leader in professional submersible drainage pumps

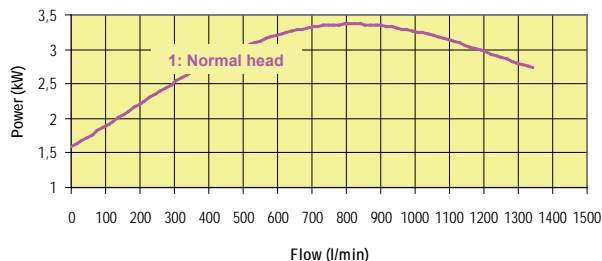


Weight: 25 kg

Dimensions (mm).

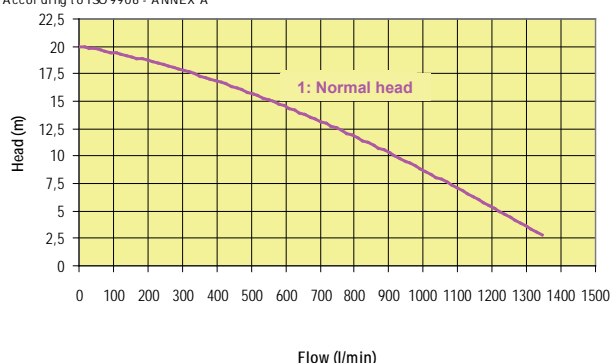
### Power (kW)

According to ISO 9906 - ANNEX A



### Flow Chart

According to ISO 9906 - ANNEX A



### Features

Robust design  
Lightweight and user friendly  
Wear resistant wet end in CR-alloy steel and natural rubber  
Adjustable wear parts  
Built-in contactor  
Easy installation

### Designed for:

Heavy duty pumping of abrasive liquids.  
Max submersible depth of 20m.  
Max temperature of liquid +40C.  
Max density of liquid, 1.100kg/m<sup>3</sup>.  
pH of the liquid between 5-8.  
For special applications contact Weda pump.

# RL 4140, 60Hz

## Electric submersible pump

### Specifications

Portable electric submersible pump for dewatering of construction sites, mines, flooded areas etc. Designed for handling liquid with abrasive particles. Prot class IP68

### Pump Types

RL 4145 Medium head, 3-phase

### Electric Motor

3-phase: Squirrel cage induction motor with built-in contactor.  
Insulation: Class F (+311F), IEC 85

Data	RL 4140	3~
Rated Output	hp	4.8
Rated Current A	460v	5.1
Shaft speed	rpm	3550
<i>Other voltage upon request</i>		

### Motor Protection

Thermal switch in each winding (+266 degree F)

### Cable

Oil and wear resistant rubber cable  
65ft 4xAWG 16

### Shaft Seal

Double seals with oil compartment  
Primary seal: Silicon carbide against silicon carbide.  
Secondary seal: Lip seal

### Bearings

Single-row ball bearing with C3 clearance

### Materials

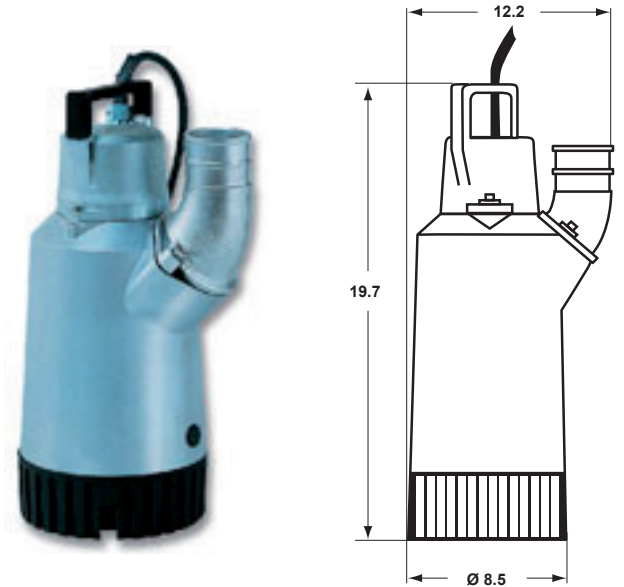
Castings: Aluminium  
Outer-casing: Aluminium  
Shaft: Stainless steel  
Fasteners: Stainless steel  
Impeller: Cr-alloyed white cast iron, 55Rc  
Wear parts: Nitrile rubber

### Discharge connection

3" NPT std, opt 4", hose or BSP

### Accessories

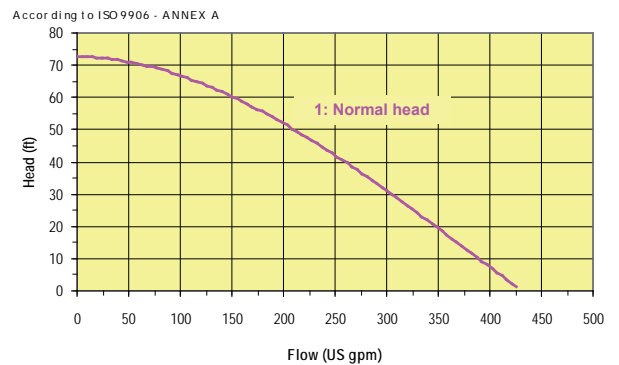
Low suction collar  
Float switch  
Zinc anodes  
Epoxy Coating  
Stainless steel strainer  
Quick coupling type 1, 2.5"



Weight: 55 lbs

Dimensions (in).

### Flow Chart



### Features

Robust design  
Lightweight and user friendly  
Wear resistant wet end in CR-alloy steel and natural rubber  
Adjustable wear parts  
Built-in contactor  
Easy installation

### Designed for:

Heavy duty pumping of abrasive liquids.  
Max submersible depth of 66ft.  
Max temperature of liquid +104F.  
Max density of liquid, 68lbs/ft<sup>3</sup>.  
pH of the liquid between 5-8.  
For special applications contact Weda pump.



**WEDA PUMP**  
World leader in professional submersible drainage pumps