

# RL 4060, 50Hz

## Electric submersible pump

### Specifications

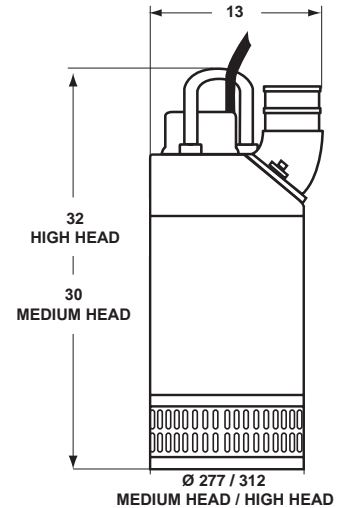
Portable electric submersible pump for dewatering of construction sites, mines, flooded areas etc. Designed for handling liquid with abrasive particles. Prot class IP68

### Pump Types

RL 4064 Medium head  
RL 4066 High head

### Electric Motor

3-phase: Squirrel cage induction motor with built-in contactor.  
Insulation: Class F (+155C), IEC 85



Data		RL 4064	RL 4066
Rated Output	kW	7.5	7.5
Rated Current A	230v	31	31
	400v	16	16
	500v	13	13
Shaft speed	rpm	2900	2900

*Other voltage upon request*

### Motor Protection

Thermal switch in each winding (+135 degree C)

### Cable

Oil and wear resistant rubber cable type HO7RN-F  
230v, 20m 4x4mm<sup>2</sup>  
400v, 20m 4x2.5mm<sup>2</sup>

### Shaft Seal

Primary seal: Silicon carbide against silicon carbide.  
Secondary seal: Carbon against ceramic  
Available in a complete seal pack or as separate items.

### Bearings

Single-row ball bearing with C3 clearance

### Materials

Castings: Aluminium  
Outer-casing: Aluminium  
Shaft: Stainless steel  
Fasteners: Stainless steel  
Impeller: Cr-alloyed white cast iron, 55Rc  
Wear parts: Natural rubber

### Discharge connection

4" std for RL 4064, 3" std for RL 4066, for hose, BSP or NPT

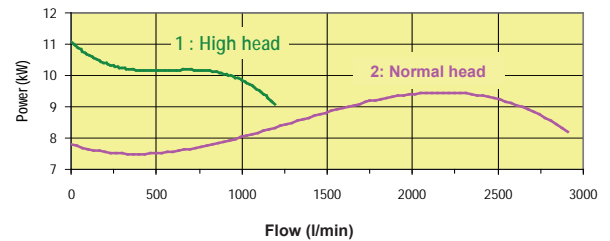
### Accessories

Float switch  
Zinc anodes  
NVB automatic level control  
Epoxy coating

Weight RL 4064 55 kg      Dimensions (mm).  
RL 4066 63 kg

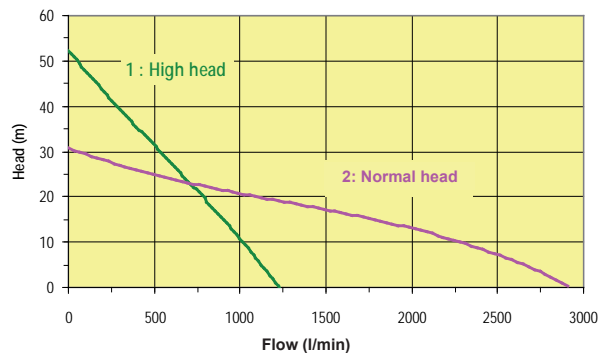
### Power (kW)

According to ISO 9906 - ANNEX A



### Flow Chart

According to ISO 9906 - ANNEX A



### Features

- Robust design
- Lightweight and user friendly
- Wear resistant wet end in CR-alloy steel and natural rubber
- Adjustable wear parts
- Complete seal pack for easy and fast service
- Built-in contactor for DOL start
- Easy installation

### Designed for:

- Heavy duty pumping of abrasive liquids
- Max submersible depth of 20m
- Max temperature of liquid +40C
- Max density of liquid, 1.100kg/m<sup>3</sup>
- pH of the liquid between 5-8
- For special applications contact Weda pump

