

# WEDA PUMP

World leader in professional submersible drainage pumps

## SPAREPARTS CATALOGUE

# RL 2030



# SPARE PARTS CATALOGUE

## **RESERVDLSTÄLLNING**

Följande uppgifter ska lämnas vid beställning av reservdelar för att undvika leveransfel :

1. Maskintyp.
2. Vältens serinummer.
3. Antal av önskad reservdel.
4. Reserdelens artikelnummer.
5. Reservedelens benämning.
6. Måttuppgifter vid beställning av metervara.

## **ERSATZTEILBESTELLUNG**

Zur Vermeidung von Fehllieferungen sind bei der Bestellung von Ersatzteilen folgende Angaben zu machen :

1. Mashinentyp.
2. Herstellungsnummer.
3. Bestellmenge. (Quantity)
4. Ersatzteilbenennung. (Part N°)
5. Ersatzteilbenennung. (Description)
6. Massangaben bei Bestellung von Meterware.

## **PEDIDO DE RECAMBIOS**

Para evitar errores en las entregas, deberá indicarse los siguientes datos al hacer un pedido de recambios :

1. Tipo de máquina.
2. Número de serie.
3. Cantidad de piezas deseadas. (Quantity)
4. Número de artículo de la pieza de recambio. (Part N°)
5. Denominación de la pieza. (Description)
6. Indíquese la medida al solicitar un artículo que se expide por metros.

## **RESERVEDELEN BESTELLEN**

Om foutieve leveringen te voorkomen, vermeld bij uw bestelling de volgende informatie:

1. Type van de machine (pomp)
2. Machine serienummer
3. Aantal benodigd
4. Onderdeel nummer(s)
5. Onderdeel omschrijving
6. Afmetingen indien per lengte besteld wordt.

## **ORDERING SPARE PARTS**

To avoid errors in delivery, please give the following information when ordering spare parts :

1. Type of machine.
2. Machine serial number.
3. Quantity required.
4. Part number.
5. Parts description.
6. Dimensions when ordering per length.

## **ORDINI DI RICAMBI**

Per evitare errori nelle consegne di ricambi, Vi preghiamo di comunicarci le seguenti informazioni al momento dell'ordinazione :

1. Tipo di macchina.
2. Numero di serie della macchina.
3. Quantità dei pezzi desiderati. (Quantity)
4. Numero di codice del pezzo. (Part N°)
5. Descrizione del pezzo di ricambio. (Description)
6. Misura, in caso di ordine per metro.

## **COMMANDE DE PIÈCES DE RECHANGE**

Les indications suivantes doivent être fournies lors de la commande de pièces de rechange, afin d'éviter toute erreur de livraison :

1. Type de machine.
2. Numéro de série.
3. Quantité désirée de pièce de rechange. (Quantity)
4. Numéro de la pièce de rechange. (Part N°)
5. Description de la pièce de rechange. (Description)
6. Longueur en cas de commande par mètre.

## SPARE PARTS

### Note :

To place spare parts order, use the serial number of the machine and the description and part number;

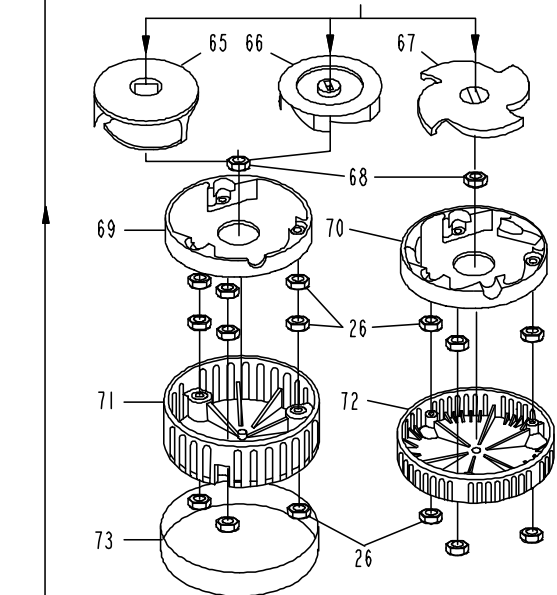
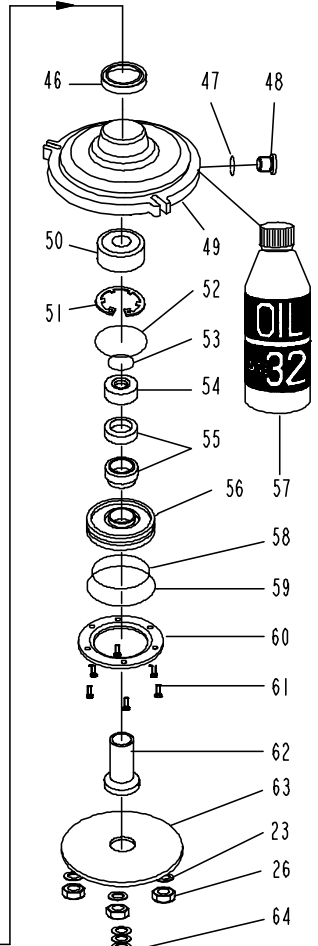
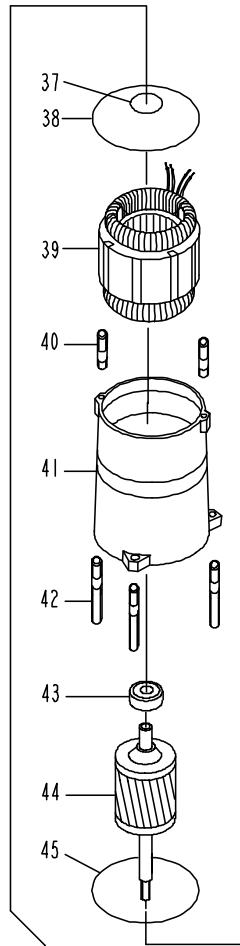
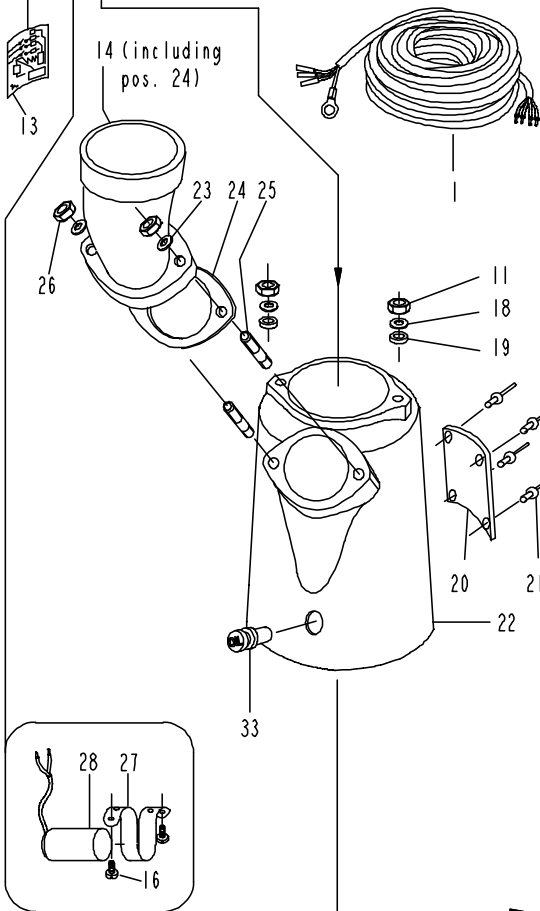
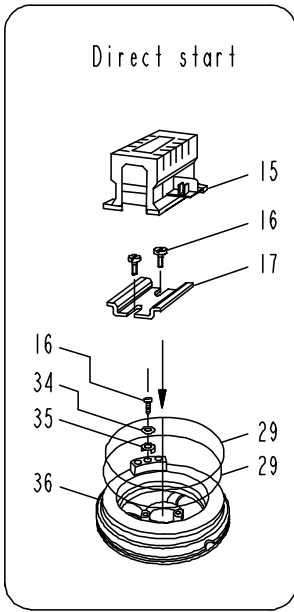
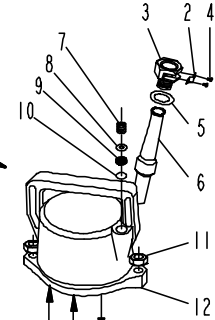
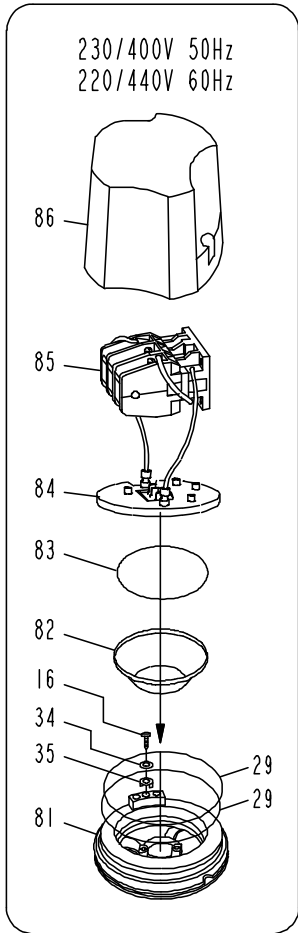
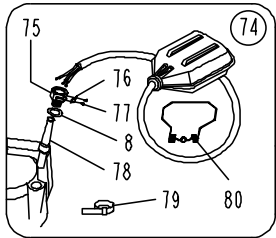
RL 2030									
Ref	Designation	P/N	Qty		Ref	Designation	P/N	Qty	
			1~	3~				1~	3~
1	Cable 3 x 2.5mm <sup>2</sup> , 20 m	W224899	1	-	38	O ring	W65115	1	1
	Cable 4 x 1.5 mm <sup>2</sup> , 20m	W214847	-	1	39	Stator See page 13		-	-
	Cable CSA SOW 3xAWG14, 20m	W367176	1	-	40	Stud bolt	W69617	2	2
	Cable CSA SOW 4xAWG16, 20m	W367175	-	1	41	Inner casing	W724012	1	1
3	Cable inlet cpl. (2, 4, 5)	W214639	1	1	42	Stud bolt	W224539	3	3
6	Cable sleeve	W214394	1	-	43	Ball bearing, upper	W61007	1	1
	Cable sleeve	W214838	-	1	44	Rotor	W724002	1	-
7	Blind plug	W214828	1	1		Rotor	W724003	-	1
8	Washer	W214825	1	1	45	O ring	W65119	1	1
9	Rubber gasket	W214829	1	1	46	Radial seal	W740198	1	1
10	Washer	W214833	1	1	47	O ring	W65006	1	1
11	Nut	W84207	4	4	48	Oil plug	W254042	1	1
12	Contacteur cover	W212849	1	1	49	Bearing holder, lower	W720024	1	1
13	Wiring diagram 1 phase	W214834	1	-	50	Radial ball bearing	W61021	1	1
	Wiring diagram □	W214836	-	1	51	Circlip	W50659	1	1
	Wiring diagram Y	W214835	-	1	52	O ring	W65103	1	1
14	Discharge 3" for hose*	W224553	1	1	53	O ring	W740293	1	1
	Discharge 3" BSP thread*	W224554	1	1	54	Seal holder	W740280	1	1
	Discharge 3" NPT thread*	W224556	1	1	55	Mechanical seal	W740199	1	1
	Discharge 3" for hose**	W203562	1	1	56	Sealing cover	W740279	1	1
	Discharge 3" BSP thread**	W203484	1	1	58	O ring	W65101	1	1
	Discharge 3" NPT thread*	W203570	1	1	59	O ring	W65102	1	1
	Discharge 4" for hose**	W203564	1	1	60	Flange plate	W224910	1	1
	Discharge 4" BSP-thread**	W203482	1	1	61	Screw	W76242	6	6
	Discharge 4" NPT thread**	W203572	1	1	62	Distance sleeve	W740281	1	1
15	Contacteur See page 13		-	-	63	Wear plate	W223522	1	1
16	Screw	W209902	5	4	64	Trimming spacer	W224538	4	4
17	Contacteur holder	W214871	1	1	65	Impeller 60Hz low pressure	W223610	1	1
18	Washer	W51163	2	2	66	Impeller 50 Hz low pressure	W243237	1	1
19	Teflon washer	W214622	2	2	67	Impeller 50 Hz medium	W223516	1	1
20	Data plate (CE)	W743583	1	1		Impeller 60 Hz medium	W223601	1	1
	Data plate (CSA)	W743612	1	1	68	Nut	W604272	1	1
21	Rivet	W65431	4	4	69	Diffusor low pressure 50Hz	W242231	1	1
22	Outer casing*	W221525	1	1		Diffusor low pressure 60Hz	W222587	1	1
	Outer casing**	W241229	1	1	70	Diffusor med.pressure 60Hz	W222523	1	1
23	Washer*	W51168	5	5	71	Strainer low pressure	W222527	1	1
	Washer**	W51170	5	5	72	Strainer medium pressure	W222526	1	1
24	Discharge gasket*	W224544	1	1		Stainless strainer	W714021	o	o
	Discharge gasket**	W743466	1	1	74	Float switch	W214842	1	1
25	Stud bolt*	W69623	2	2	75	Cable inlet cpl. (8, 76, 77)	W743411	1	1
	Stud bolt**	W69642	2	2	78	Cable sleeve	W214826	1	1
26	Nut*	W84209	14	14	79	Clamp	W209900	1	1
	Nut**	W84210	14	14	80	Float holder clamp	W213843	1	1
27	Capacitor holder	W214841	1	-	81	Seal holder upper	W208048	1	1
28	Capacitor compl. 50µF	W743418	1	-	82	Insulation cap lower	W214387	-	1
29	O ring	W65112	2	2	83	O Ring	W65106	-	1
33	Rubber plug	W224880	1	1	84	Terminal block	W213202	-	1
34	Spring washer	W58956	1	1	85	Contacteur See page 13	-	-	-
35	Cable clamp	W45883	1	1	86	Insulation cap upper	W213381	-	1
36	Bearing bracket, upper	W208138	1	1					
37	O ring	W65021	1	1					

\* pumps with manufacturing N° below 3500 (with 3" discharge hole in outer casing) o = option

\*\* pumps with manufacturing N° above 3500 (with 4" discharge hole in outer casing)

### STATOR and CONTACTOR Part Numbers

Power supply	Stator	Contactora	Stator Unit (39 + 41)
220-240V - 1 - 50Hz	W724054	W209923	W743589
380-415V - 3 - 50Hz	W724004	W743441	W743454
220-240V - 1 - 60Hz	W724053	W209923	W743588
460V - 3 - 60Hz	W724009	W743441	W743455



# WEDA PUMP

World leader in professional submersible drainage pumps

*page left intentionally blank for your convenience.*

# WEDA PUMP

World leader in professional submersible drainage pumps

**Delta Pompen B.V.**  
Rigaweg 17  
9723 TE Groningen  
The Netherlands  
Tel.: +31 (0)50-2072380

E-mail: [info@deltapompen.com](mailto:info@deltapompen.com)  
Internet: <http://www.wedapump.com>

SERVICE AND GUARANTEE.  
WEDAPUMP.COM is represented worldwide by a well-established service organization. Contact your local WEDAPUMP sales office if you require more information about servicing. Or left mentioned address.

wedapump.com reserves the right to change specifications without notice