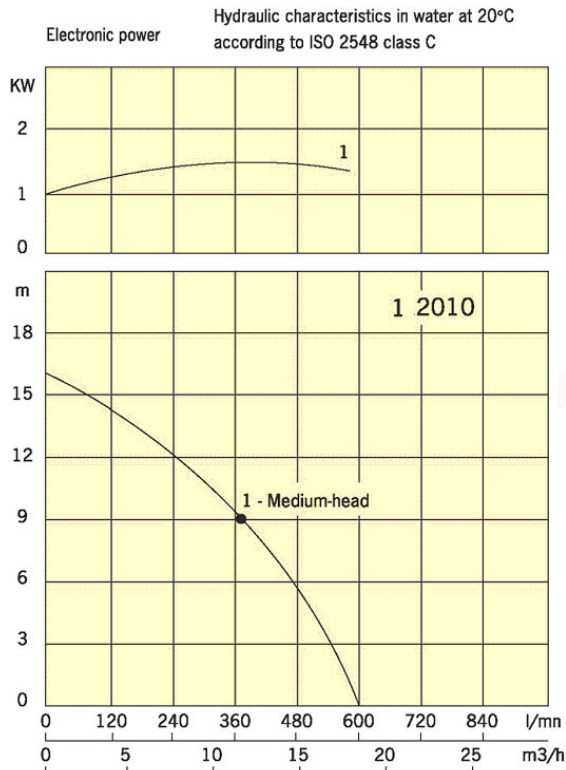
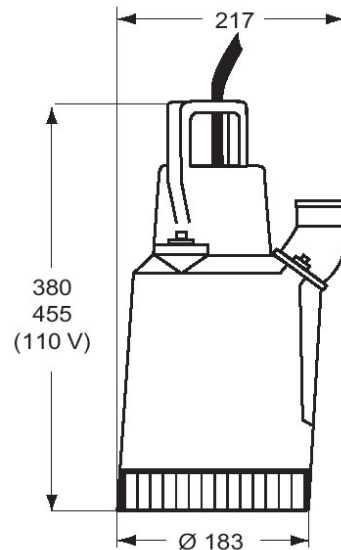


# WEDA PUMP



## RL 2010



### Pumptypes:

M – Medium Head

### Classification

Electrical Submersible Pump  
Protection Class : IP 68  
Max. submersible depth : 20 Mtr.

### Technical Data (other voltages upon request)

Shaftspeed : 2900 r.p.m.  
Nominal shaft Power : 1,0 kW.  
Rated Electrical Power : 1,4 kW.  
Stator Insulation Class : F (155°C) IEC 85  
Motor Protection Temp. : 130°C  
Build in Starter : Yes  
Build in Contactor : Yes  
Build in Motorprotect : Yes  
Rated current (A) at 110V : 12.8 A (1-phase / 50 Hz.)  
220-240V : 6.1 A (1-phase / 50 Hz.)  
380-415V : 2.3 A (1-phase / 50 Hz.)  
110V : 13 A (1-phase / 60 Hz.)  
220V : 6.2 A (1-phase / 60 Hz.)  
440V : 2.2 A (3-phase / 60 Hz.)

### Shaft seals

Pumpseal Grease lubricated radial lipseal  
Motorseal Grease lubricated radial lipseal

Both the pump- and the motorseal are built in one complete unit of aluminium filled with grease.

### Power cable

110 V 3 x 2.5 mm<sup>2</sup> – H07RN-F – 1 phase  
220 V – 240 V 3 x 1.5 mm<sup>2</sup> – H07RN-F – 1 phase  
all others 4 x 1.5 mm<sup>2</sup> – H07RN-F

### Discharge Connections

Hose, BSP or NPT in 1 1/2" and 2" Versions

### Dimensions

Diam. X B x H : 183 x 217 x 380  
(7.2 x 8.5 x 15)  
Weight (excl. cables) : 12.5 Kg. (27.5 lbs.)

### Materials

Casted Parts Extra Light Aluminium  
Outer Casing Extra Light Aluminium  
Motor shaft Stainless Steel with tungsten carbide wearsleeve rotating against the shaft seals (see item shaft seals)  
Impeller Chrome Alloy Steel (550 HRB)  
Screws and Nuts Stainless Steel  
Diffusors Nitrile rubber NBR

### Accessories

Zincanodes Discharge kit 1.5"  
Floatswitch Discharge kit 2"  
Non-return valve Floor level band

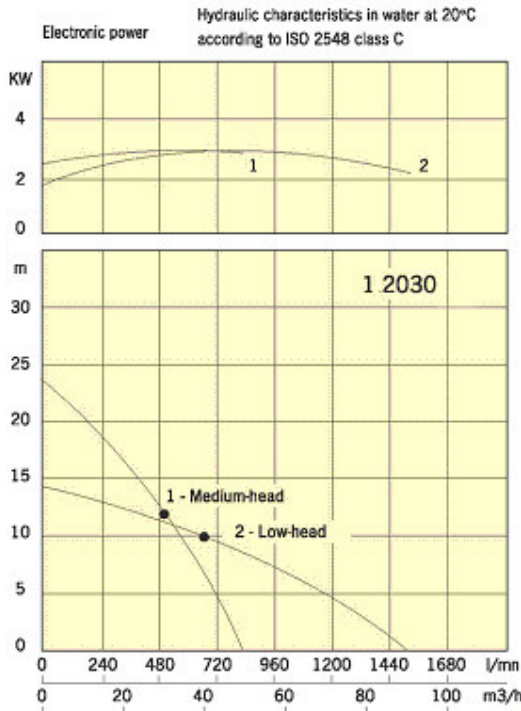
### Limitations

Max. capacity : 36 m<sup>3</sup>/hour (600 l/min)  
Max. total head : 15.1 m.l.c. (51 ft.)  
Max. submersible depth : 20 Mtr.  
Max. liquid temperature : 40°C – 104°F  
Max. pH of the liquid : 5 ~ 8  
Max. size of the solids : Ø 4 mm.

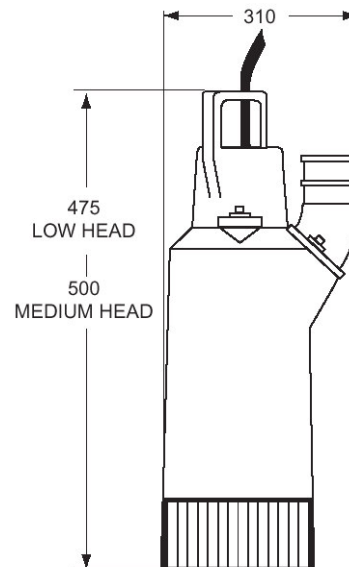
**Cutting Costs Without Cutting Quality.**

**DELTA** Pompen B.V. – Lúbeckstraat 12 - 7575 EE Oldenzaal – The Netherlands  
Tel.: +31-(0)541 571 667 Fax.: +31-(0)84 – 224 23 75 – info@deltapompen.com - http://www.deltapompen.com

# WEDA PUMP



## RL 2030



### Pumptypes:

L – Low Head  
M – Medium Head

### Classification

Electrical Submersible Pump  
Protection Class : IP 68  
Max. submersible depth : 20 Mtr.

### Technical Data (other voltages upon request)

Shaftspeed : 2990/3550 r.p.m. (50/60Hz.)  
Nominal shaft Power : 2,0 kW.  
Rated Electrical Power : 3,0 kW.  
Stator Insulation Class : F (155°C) IEC 85  
Motor Protection Temp. : 130°C  
Build in Starter : Yes  
Build in Contactor : Yes  
Build in Motorprotect : Yes

Rated current (A) at				
Voltage	Phase	Frequency	Low Head	High Head
220-240	1	50	11.8 A	12.6 A
380-415	3	50	4.5 A	4.4 A
220-240	1	60	15.3 A	16.3 A
460	3	60	4.2 A	4.4 A

### Shaft seals (oil lubricated)

Pumpseal Silicon Carbide / Silicon Carbide  
Motorseal Oil lubricated radial lipseal

Both the pump- and the motorseal are built in one complete unit of aluminium filled with oil.

### Discharge Connections

Hose, BSP or NPT in 3" and 4" Versions

### Dimensions

Diam. X B x H : 217 x 310 x 475  
(8.5 x 12.2 x 18.7)  
Weight (excl. cables) : 20 Kg. (44.1 lbs.)

### Materials

Casted Parts Extra Light Aluminium  
Outer Casing Extra Light Aluminium  
Motor shaft Stainless Steel  
Impeller Chrome Alloy Steel (550 HRB)  
Screws and Nuts Stainless Steel  
Diffusors Nitrile rubber NBR

### Accessories

Zincanodes  
Floatswitch  
Non-return valve 4" Floor level band  
Wear parts set

### Limitations

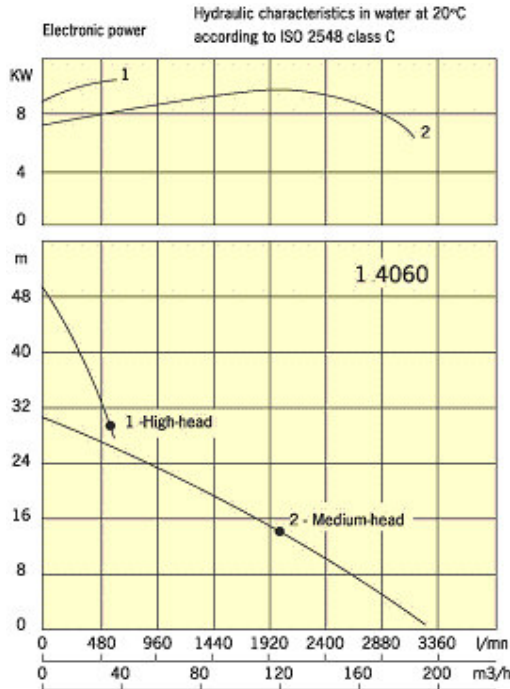
Max. capacity : 90 m3/hour (1500 l/min)  
Max. total head : 14.5 m.l.c. (48 ft.)  
Max. submersible depth : 20 Mtr.  
Max. liquid temperature : 40°C – 104°F  
Max. pH of the liquid : 5 ~ 8  
Max. size of the solids : LH Ø9 mm./ MH Ø7 mm.

**Cutting Costs Without Cutting Quality.**

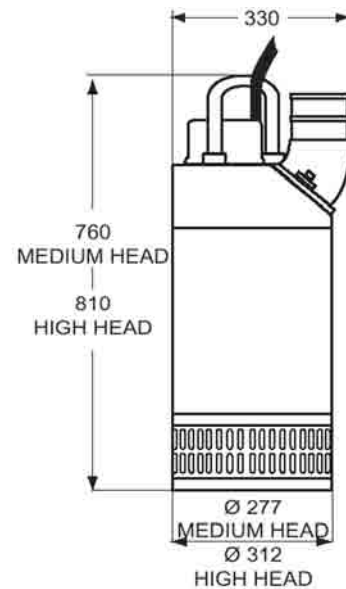
**DELTA** Pompen B.V. – Lúbeckstraat 12 - 7575 EE Oldenzaal – The Netherlands

Tel.: +31-(0)541 571 667 Fax.: +31-(0)84 – 224 23 75 – info@deltapompen.com - <http://www.deltapompen.com>

# WEDA PUMP



## RL 4060



### Pumptypes:

M – Medium Head, H – High Head

### Classification

Electrical Submersible Pump  
Protection Class : IP 68  
Max. submersible depth : 20 Mtr.

### Technical Data (other voltages upon request)

Shaftspeed	: 2900 r.p.m.			
Nominal shaft Power	: 7,5 kW.			
Rated Electrical Power	: 9,8 kW.			
Stator Insulation Class	: F (155°C) IEC 85			
Motor Protection Temp.	: 130°C			
Build in Starter	: Yes			
Build in Contactor	: Yes			
Build in Motorprotect	: Yes			
Rated current (A) at				
Voltage	Phase	Frequency	Medium Head	High Head
380-415	3	50	17.0 A	19.7 A
440-460	3	60	15.4 A	17.8 A

### Shaft seals

Pumpseal	Silicon Carbide/Silicon Carbide
Motorseal	Silicon Carbide/Silicon Carbide

### Bearing

Pumpbearing	Oil lubricate single ballbearing
Topbearing	For Life, High temperature grease

### Powercables

50 Hz.	20 Mtr. 4 x 2.5 mm <sup>2</sup> H07RN-F
60 Hz.	20 Mtr. SOW 4 x AWG14

### Discharge Connections

Hose, BSP or NPT in 3" and 4" Versions

### Dimensions

Diam. X B x H	: M - Ø277 x 760 x 330
	: H - Ø312 x 810 x 330
Weight (excl. cables)	: M -55 Kg. H – 63 Kg.

### Materials

Casted Parts	Extra Light Aluminium
Outer Casing	Extra Light Aluminium
Motor shaft	Stainless Steel
Impeller	Chrome Alloy Steel (550 HRB)
Screws and Nuts	Stainless Steel
Diffusors	Nitrile rubber NBR

### Accessories

Zincanodes  
Head Change set L <-> H  
Discharge kit 3"  
Discharge kit 4"

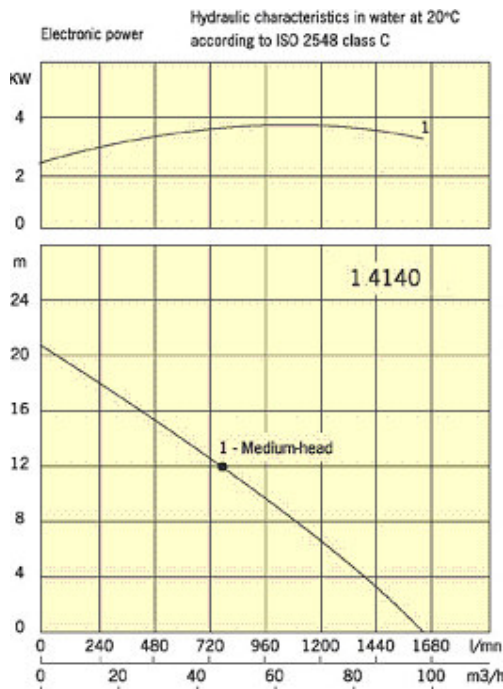
### Limitations

Max. capacity total head	: M-180 m <sup>3</sup> /hr. H-40 m <sup>3</sup> /hr. Max.
	: M-30 m.l.c., H-50 m.l.c.
Max. submersible depth	: 20 Mtr.
Max. liquid temperature	: 40°C – 104°F
Max. pH of the liquid	: 5 ~ 8
Max. size of the solids	: Ø 6 mm.

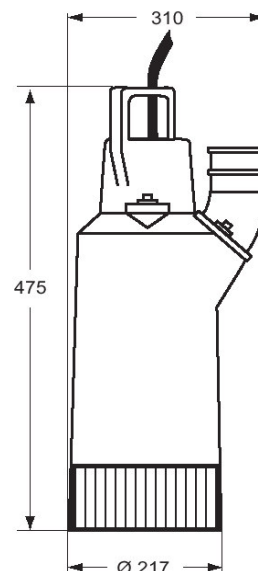
**Cutting Costs Without Cutting Quality.**

**DELTA** Pompen B.V. – Lúbeckstraat 12 - 7575 EE Oldenzaal – The Netherlands  
Tel.: +31-(0)541 571 667 Fax.: +31-(0)84 – 224 23 75 – info@deltapompen.com - <http://www.deltapompen.com>

# WEDA PUMP



## RL 4140



### Pumptypes:

M – Medium Head

### Classification

Electrical Submersible Pump  
 Protection Class : IP 68  
 Max. submersible depth : 20 Mtr.

### Technical Data (other voltages upon request)

Shaftspeed : 2900 r.p.m.  
 Nominal shaft Power : 3,0 kW.  
 Rated Electrical Power : 3,6 kW.  
 Stator Insulation Class : F (155°C) IEC 85  
 Motor Protection Temp. : 130°C  
 Build in Starter : Yes  
 Build in Contactor : Yes  
 Build in Motorprotect : Yes  
 Rated current (A) at  
     380-415V : 5,3 A (3-phase / 50 Hz.)  
     440V : 5,1 A (3-phase / 60 Hz.)  
     220V : 10,0 A (3-phase / 50 Hz.)

### Shaft seals

Pumpseal : Silicon Carbide/Silicon Carbide  
 Motorseal : Oil lubricated radial lipseal

### Bearing

Pumpbearing : Oil lubricate single ballbearing  
 Topbearing : For Life, High temperature grease

### Powercables

50 Hz. : 20 Mtr. 4 x 1.5 mm<sup>2</sup> H07RN-F  
 60 Hz. : 20 Mtr. SOW 4 x AWG16

### Discharge Connections

Hose, BSP or NPT in 3" and 4" Versions

### Dimensions

Diam. X B x H : Ø 217 x 310 x 475  
 Weight (excl. cables) : 12,5 Kg.

### Materials

Casted Parts : Extra Light Aluminium  
 Outer Casing : Extra Light Aluminium  
 Motor shaft : Stainless  
 Impeller : Chrome Alloy Steel (550 HRB)  
 Screws and Nuts : Stainless Steel  
 Diffusors : Nitrile rubber NBR

### Accessories

Zincanodes  
 Discharge kit 3"  
 Discharge kit 4"  
 Floatswitch

### Limitations

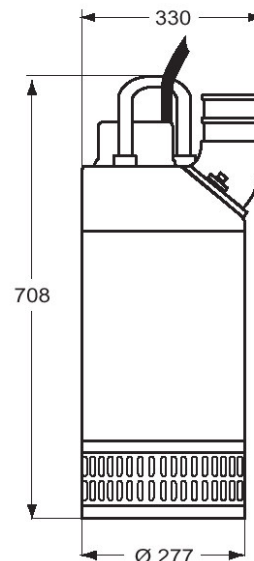
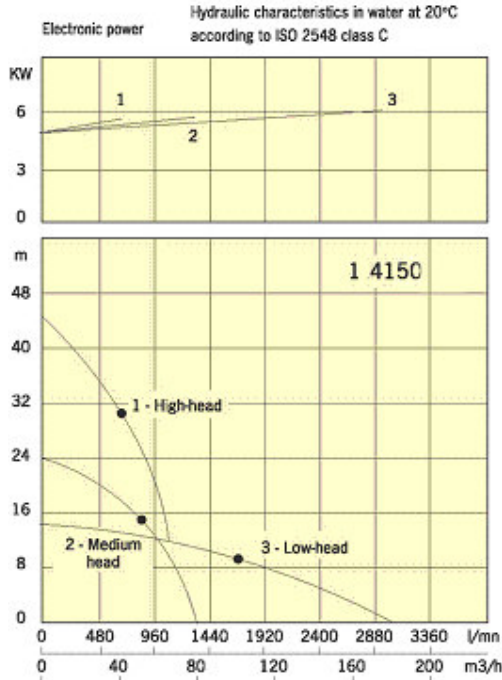
Max. capacity : 96 m3/hour (1610 l/min)  
 Max. total head : 20,5 m.l.c.  
 Max. submersible depth : 20 Mtr.  
 Max. liquid temperature : 40°C – 104°F  
 Max. pH of the liquid : 5 ~ 8  
 Max. size of the solids : Ø 9 mm.

**Cutting Costs Without Cutting Quality.**

**DELTA** Pompen B.V. – Lúbeckstraat 12 - 7575 EE Oldenzaal – The Netherlands  
 Tel.: +31-(0)541 571 667 Fax.: +31-(0)84 – 224 23 75 – info@deltapompen.com - http://www.deltapompen.com

# WEDA PUMP

## RL 4150



### Pumptypes:

L – Low Head, M – Medium Head, H – High Head

### Classification

Electrical Submersible Pump  
Protection Class : IP 68  
Max. submersible depth : 20 Mtr.

### Technical Data (other voltages upon request)

Shaftspeed : 2900 r.p.m.  
Nominal shaft Power : L/M; 4,7 kW. H; 6,3 kW.  
Rated Electrical Power : L/M; 6,3 kW. H; 7,3 kW.  
Stator Insulation Class : F (155°C) IEC 85  
Motor Protection Temp. : 130°C  
Build in Starter : Yes  
Build in Contactor : Yes  
Build in Motorprotect : Yes  
Rated current (A) at

Voltage	Phase	Freq.	LH	MH	HH
400-415	3	50	10.2 A	10.6 A	13.4 A
440-460	3	60	9.2 A	9.5 A	12.0 A

### Shaft seals

Pumpseal Silicon Carbide/Silicon Carbide  
Motorseal Silicon Carbide/Silicon Carbide

### Bearing

Pumpbearing Oil lubricate single ballbearing  
Topbearing For Life, High temperature grease

### Powercables

50 Hz. 20 Mtr. 4 x 2.5 mm<sup>2</sup> H07RN-F  
60 Hz. 20 Mtr. SOW 4 x AWG14

### Discharge Connections

Hose, BSP or NPT in 3" and 4" Versions

### Dimensions

Diam. X B x H : Ø277 x 330 x 708  
Weight (excl. cables) : 63 Kg.

### Materials

Casted Parts Extra Light Aluminium  
Outer Casing Extra Light Aluminium  
Motor shaft Stainless  
Impeller Chrome Alloy Steel (550 HRB)  
Screws and Nuts Stainless Steel  
Diffusors Nitrile rubber NBR

### Accessories

Zincanodes  
Discharge kit 3"  
Discharge kit 4"  
Non-return valve 4"

### Limitations

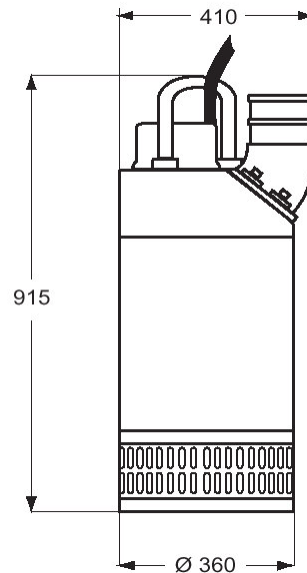
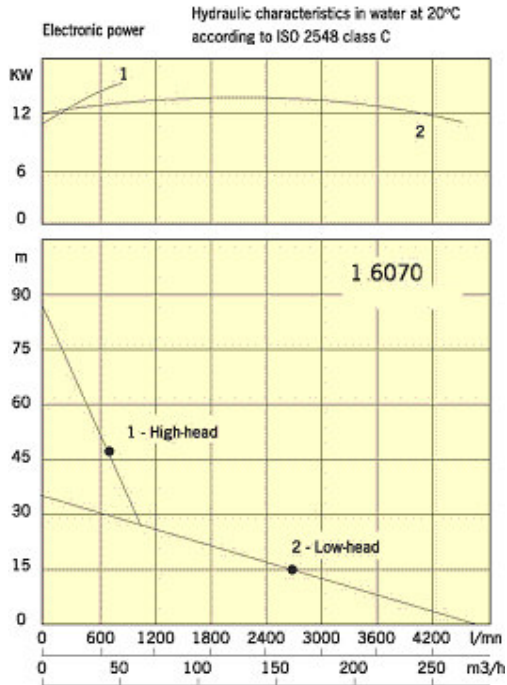
Max. capacity : L-180 m<sup>3</sup>/hr  
: M- 80 m<sup>3</sup>/hr.  
: H-65 m<sup>3</sup>/hr.  
Max. total head : L- 15 m.l.c.  
: M- 24 m.l.c.  
: H- 44 m.l.c.  
Max. submersible depth : 20 Mtr.  
Max. liquid temperature : 40°C – 104°F  
Max. pH of the liquid : 5 ~ 8  
Max. size of the solids : Ø 6 mm.

**Cutting Costs Without Cutting Quality.**

**DELTA** Pompen B.V. – Lúbeckstraat 12 - 7575 EE Oldenzaal – The Netherlands  
Tel.: +31-(0)541 571 667 Fax.: +31-(0)84 – 224 23 75 – info@deltapompen.com - <http://www.deltapompen.com>

# WEDA PUMP

## RL 6070



### Pumptypes:

L – Low Head, H – High Head.

### Classification

Electrical Submersible Pump

Protection Class : IP 68

Max. submersible depth : 20 Mtr.

### Technical Data

(other voltages upon request)

Shaftspeed : 2900 r.p.m.

Nominal shaft Power : 11,8 kW.

Rated Electrical Power : 14,5 kW.

Stator Insulation Class : F (155°C) IEC 85

Motor Protection Temp.: 130°C

Build in Starter : Yes

Build in Contactor : Yes

Build in Motorprotect : Yes

Rated current (A) at

Voltage	Phase	Freq.	LH	HH
380-415	3	50	23.2 A	25.2 A
440	3	60	20.6 A	25.3 A

### Shaft seals

Pumpseal Silicon Carbide/Silicon Carbide

Motorseal Silicon Carbide/Silicon Carbide

### Bearing

Pumpbearing Oil lubricate single ballbearing

Topbearing For Life, High temperature grease

### Powercables

50 Hz. 20 Mtr. 4 x 4 mm<sup>2</sup> H07RN-F

60 Hz. 20 Mtr. SOW 4 x AWG10

### Discharge Connections

Hose, BSP or NPT in 4" and 6" Versions

### Dimensions

Diam. X B x H : Ø360 x 410 x 915

(14,1 x 16,1 x 36)

Weight (excl. cables) : 95 Kg. (210 lbs.)

### Materials

For demanding applications as in construction works and mining, the impellers are made for wear resistant Hi-Chrome iron and all other components are rubber lined.

Impeller Chrome Alloy Steel (550 HRB)

Screws and Nuts Stainless Steel

Diffusors Nitrile rubber NBR

### Accessories

Zincanodes Discharge kit 4"

Discharge kit 6" Non-return valve 6"

Rebuilding set t.b.v. NVB Conversion kit 4"to 6"

Star/Delta Starter

### Limitations

Max. capacity : H-65 m3/hr.; L-280 m3/hr.

Max. total head : H-85 m.l.c.; L-35 m.l.c.

Max. submersible depth : 20 Mtr.

Max. liquid temperature : 40°C – 104°F

Max. pH of the liquid : 5 ~ 8

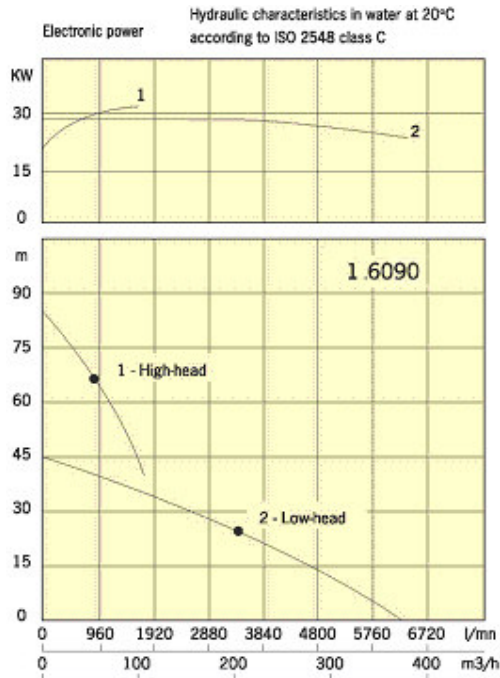
Max. size of the solids : Ø 7 mm.

**Cutting Costs Without Cutting Quality.**

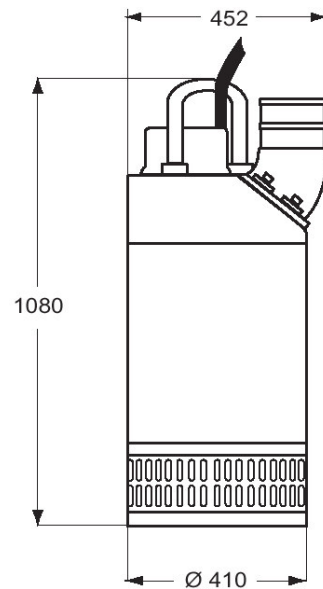
**DELTA** Pompen B.V. – Lúbeckstraat 12 - 7575 EE Oldenzaal – The Netherlands

Tel.: +31-(0)541 571 667 Fax.: +31-(0)84 – 224 23 75 – info@deltapompen.com - <http://www.deltapompen.com>

# WEDA PUMP



## RL 6090



### Pumptypes:

M – Medium Head  
H – High Head

### Classification

Electrical Submersible Pump  
Protection Class : IP 68  
Max. submersible depth : 20 Mtr.

### Technical Data (other voltages upon request)

Shaftspeed : 2900 r.p.m.  
Nominal shaft Power : 26.5 kW.  
Rated Electrical Power : 32 kW.  
Stator Insulation Class : F (155°C) IEC 85  
Motor Protection Temp. : 130°C  
Build in Starter : Yes  
Build in Contactor : Yes  
Build in Motorprotect : Yes  
Rated current (A) at  
380-400V : 45.3 A (3~/50 Hz./Low Head)  
380-400V : 47.7 A (3~/50 Hz./High Head)  
415V : 43.6 A (3~/50 Hz./Low Head)  
415V : 46.0 A (3~/50 Hz./High Head)  
440V : 45.9 A (3~/60 Hz./Low Head)  
440V : 45.5 A (3~/60 Hz./High Head)

### Shaft seals (Oil lubricated)

Pumpseal Tungsten Carbide / Ceramic  
Motorseal Carbon / Silicon Carbide

### Power cable

415 – 500 V 20 Mtr. 4 x 10 mm<sup>2</sup>  
380 V 20 Mtr. 4 x 16 mm<sup>2</sup>  
220 V 20 Mtr. 4 x 125 mm<sup>2</sup>

### Discharge Connections

Hose, BSP or NPT in 4" and 6" Versions

### Dimensions

Diam. X B x H : 410 x 452 x 1080  
(16.1 x 17.8 x 42.5)  
Weight (excl. cables) : 180 Kg. (397 lbs.)

### Materials

For demanding applications as in construction works and mining, the impellers are made for wear resistant Hi-Chrome iron and all other components are rubber lined.

Impeller Chrome Alloy Steel (550 HRB)  
Screws and Nuts Stainless Steel  
Diffusors Nitrile rubber NBR

### Accessories

Zincanodes Discharge kit 4"  
Discharge kit 6" Non-return valve 6"  
Rebuilding set t.b.v. NVB Conversion kit 4"to 6"  
Star/Delta Starter

### Limitations

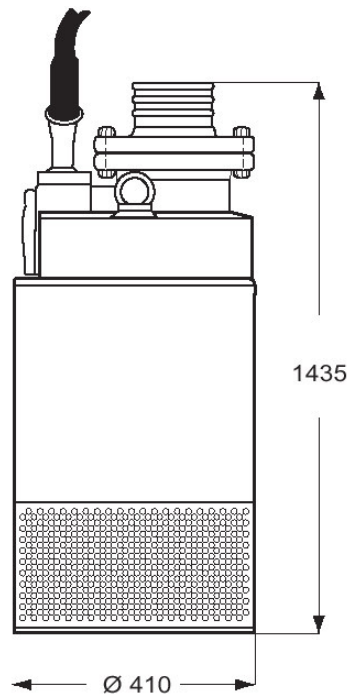
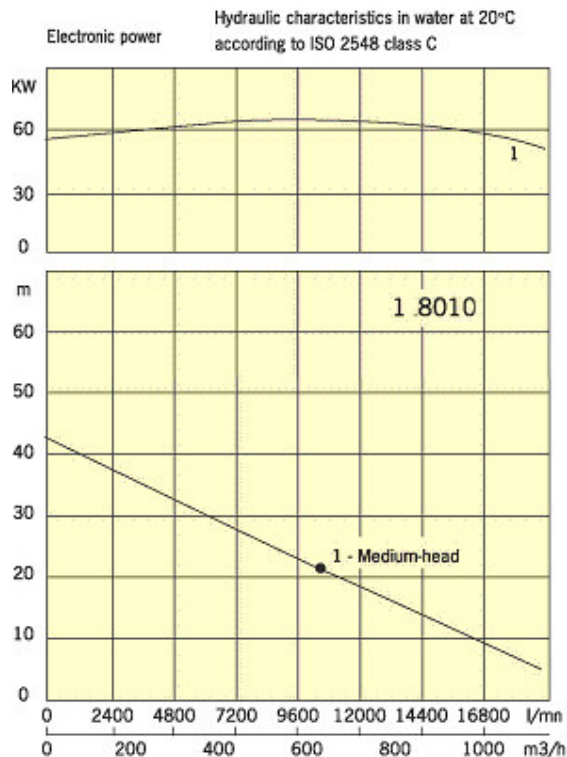
Max. capacity : 378 m3/hour (6300 l/min)  
Max. total head : 45 m.l.c. (148 ft.)  
Max. submersible depth : 20 Mtr.  
Max. liquid temperature : 40°C – 104°F  
Max. pH of the liquid : 5 ~ 8  
Max. size of the solids : Ø 7 mm. (0.27")

**Cutting Costs Without Cutting Quality.**

**DELTA** Pompen B.V. – Lúbeckstraat 12 - 7575 EE Oldenzaal – The Netherlands  
Tel.: +31-(0)541 571 667 Fax.: +31-(0)84 – 224 23 75 – info@deltapompen.com - <http://www.deltapompen.com>

# WEDA PUMP

## RL 8010



**Pumtypes:**  
M – Medium Head

**Classification**  
Electrical Submersible Pump  
Protection Class : IP 68  
Max. submersible depth : 20 Mtr.

**Technical Data** (other voltages upon request)

Shaftspeed	: 1450 r.p.m.
Nominal shaft Power	: 54,0 kW.
Rated Electrical Power	: 63,0 kW.
Stator Insulation Class	: F (155°C) IEC 85
Motor Protection Temp.	: 130°C
Build in Starter	: no, optional external
Build in Contactor	: no, optional external
Build in Motorprotect	: no, optional external
Rated current (A) at 400V	: 110A (3-phase / 50 Hz.)
440V	: 110A (3-phase / 60 Hz.)
500V	: 80A (3-phase)

**Shaft seals (Oil lubricated)**

Pumpseal	Tungsten Carbide / Ceramic
Motorseal	Carbon / Silicon Carbide

**Power cable**  
2 x 20 Mtr. 4 x 25 mm<sup>2</sup>  
20 Mtr. 4 x 10 mm<sup>2</sup> for thermistors

**Discharge Connections**  
Hose, Alvenius, BSP or NPT in 10" Versions

**Dimensions**

Diam. X B x H	: 600 x 600 x 1435 (23.6 x 23.6 x 56.5)
Weight (excl. cables)	: 510 Kg. (1125 lbs.)

**Materials**  
For demanding applications as in construction works and mining, the impellers are made for wear resistant Hi-Chrome iron and all other components are rubber lined.

**Accessories**  
Zincanodes  
Starterbox with or without D/S  
Galvanised steel strainer

**Limitations**

Max. capacity	: 1140 m <sup>3</sup> /hr (19000 l/min)
Max. total head	: 42.5 m.l.c. (139 ft.)
Max. submersible depth	: 20 Mtr.
Max. liquid temperature	: 40°C – 104°F
Max. pH of the liquid	: 5 ~ 8
Max. size of the solids	: Ø 12 mm. (0,47")

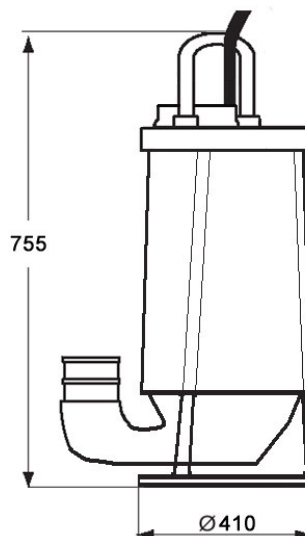
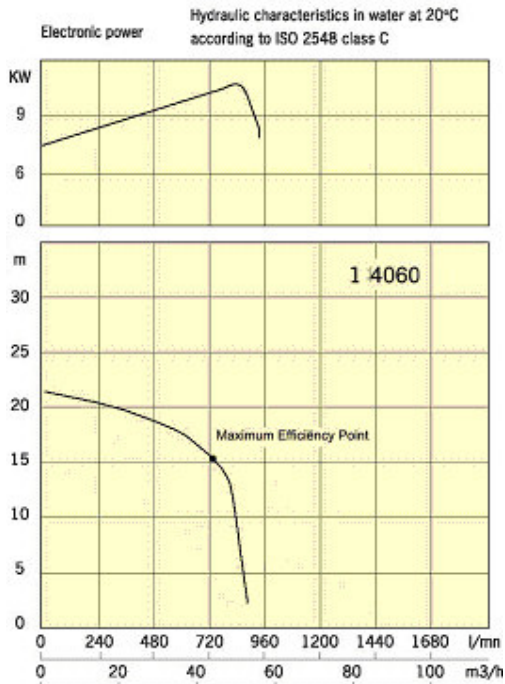
**Cutting Costs Without Cutting Quality.**

**DELTA** Pompen B.V. – Lúbeckstraat 12 - 7575 EE Oldenzaal – The Netherlands  
Tel.: +31-(0)541 571 667 Fax.: +31-(0)84 – 224 23 75 – info@deltapompen.com - http://www.deltapompen.com



# WEDA PUMP

## RC 4060



### Pumptypes:

MS – Medium Head Sludge  
Free Flow (Vortex) Impeller

### Classification

Electrical Submersible Pump  
Protection Class : IP 68  
Max. submersible depth : 20 Mtr.

### Technical Data (other voltages upon request)

Shaftspeed : 2900 r.p.m.  
Nominal shaft Power : 10,0 kW.  
Stator Insulation Class : F (155°C) IEC 85  
Motor Protection Temp. : 130°C  
Build in Starter : Option, In Sep. starterbox  
Build in Motorprotect : If connected to a starterbox  
Rated current (A) at  
Voltage Phase Frequency Medium Head  
380-415 3 50 12,0 A

### Shaft seals

Pumpseal & Motorseal Mechanical executed

### Bearing

Pumpbearing Oil lubricate single ballbearing  
Topbearing For Life, High temperature grease

### Powercables

50 Hz. 20 Mtr. 4 x 2.5 mm<sup>2</sup> H07RN-F

### Discharge Connections

Hose in 3" and 4" Versions

### Dimensions

Diam. x H : Ø410 x 755  
Weight (excl. cables) : 70 Kg.

### Materials

Casted Parts Extra Light Aluminium  
Outer Casing Extra Light Aluminium  
Motor shaft Stainless Steel  
Impeller Chrome Alloy Steel (550 HRB)  
Screws and Nuts Stainless Steel

### Accessories

Zincanodes Discharge kit 3"  
Discharge kit 4" Epoxycoating  
Separate Starter Box

### Limitations

Max. capacity : 60 m<sup>3</sup>/hr.  
Max. total head : 22,0 m.l.c.  
Max. submersible depth : 20 Mtr.  
Max. liquid temperature : 40°C – 104°F  
Max. pH of the liquid : 5 ~ 8

**Max. size of the solids : Ø 50 mm. !!**

**Cutting Costs Without Cutting Quality.**

**DELTA** Pompen B.V. – Lúbeckstraat 12 - 7575 EE Oldenzaal – The Netherlands  
Tel.: +31-(0)541 571 667 Fax.: +31-(0)84 – 224 23 75 – info@deltapompen.com - http://www.deltapompen.com

# WEDA PUMP

## TECHNICAL DATA SHEET

	RL2010	RL2030	RL4140	RL 4150	RL 4060	RL 6070	RL 6090	RL 8010
<b>Pump</b>								
Connection diameter								
inch								
mm.	2" (50)	3" or 4" (80 or 100)	3" or 4" (80 or 100)	4" or 3" (100 or 80)	4" or 3" (100 or 80)	6" or 4" (150 or 100)	6" or 4" (150 or 100)	10" (255)
Connection for Hose/BSP/NPT	yes/yes/yes	yes/yes/yes	yes/yes/yes	yes/yes/yes	yes/yes/yes	yes/yes/yes	yes/yes/yes	yes/yes/yes
Max total head								
mtr.								
ft.	15.1 (51)	14,5 (48)	20.5 (67)	14 (46)	30 (98)	35 (115)	45 (148)	42.5 (139)
Max. Capacity								
l/min								
m3/hr.	600 (36)	1500 (90)	1610 (96)	3000 (180)	3400 (204)	4700 (282)	6300 (378)	19000 (1140)
Suitable for media with pH.	5 ~ 8	5 ~ 8	5 ~ 8	5 ~ 8	5 ~ 8	5 ~ 8	5 ~ 8	5 ~ 8
Max. water temperature	40°C-104°F	40°C-104°F	40°C-104°F	40°C-104°F	40°C-104°F	40°C-104°F	40°C-104°F	40°C-104°F
Max. submersible depth								
mtr.								
ft.	20 (65.6)	20 (65.6)	20 (65.6)	20 (65.6)	20 (65.6)	20 (65.6)	20 (65.6)	20 (65.6)
Max. size solid particles								
mm.								
inch	4 (0.15)	9 (0.35)	9 (0.35)	6 (0.23)	6 (0.23)	7 (0.27)	7 (0.27)	12 (0.47)
<b>Available options</b>								
Other impeller versions I								
Total head:								
mtr.								
ft.		23.5 (77)		27 (88)				
Max. capacity	no	800 (48)	no	1200 (72)	no	no	no	no
l/min								
m3/hr.								
Other impeller versions II								
Total head:								
mtr.								
ft.				43 (141)	52 (172)	80 (262)	85 (279)	no
Max. capacity	no	no	no	1050 (63)	650 (39)	1000 (60)	1750 (105)	no
l/min								
m3/hr.								
Level Float Switch	yes	yes	yes	no	no	no	no	no
NVB elec. level control	no	no	no	yes	yes	yes	yes	yes
Zinc anodes (anti-corrosion protection)	yes	yes	yes	yes	yes	yes	yes	yes
Floor level band	yes	yes	yes	no	no	no	no	no
Aluminium floor suction piece (2 mm!)	yes	no	no	no	no	no	no	no
Stainless steel strainer	no	no	no	no	no	yes	yes	Galvanised steel
<b>Electrical</b>								
Build-in starter, contactor and motor protect	yes	yes	yes	yes	yes	yes	yes	yes

**Cutting Costs Without Cutting Quality.**

**DELTA** Pompen B.V. – Lúbeckstraat 12 - 7575 EE Oldenzaal – The Netherlands  
 Tel.: +31-(0)541 571 667 Fax.: +31-(0)84 – 224 23 75 – info@deltapompen.com - <http://www.deltapompen.com>

# WEDA PUMP

Time relay for delayed start	no	no	no	no	no	yes (option)	standard	no
Star/Delta starter	no	no	no	no	no	yes (option)	yes (option)	starterbox with or without D/S
Overcurrent relay	no	no	no	yes (option)	yes (option)	yes (option)	standard	no
<b>Motor</b>								
Nominal shaft power kW.  (hp.)	1.0 (1.34)	2.0 (2.7)	3.0 (4.0)	4.7-(6.3) L/H Head 5.4-(7.2) High Head	7.5 (10)	11.8 (15.8)	26.5 (35.5)	54 (72.4)
Rated elec. Power kW.  (hp.)	1.4 (1.87)	3.0 (4.0)	3.6 (4.8)	6.3-(8.4) L/H Head 7.3-(9.8) High Head	9.8 (13.1)	14.5 (19.4)	32.0 (43.0)	63 (84.5)
Speed (r.p.m.)	2990	2990	2990	2990	2990	2990	2990	1450
Stator Insulation Class	F 155°C-311°F	F 155°C-311°F	F 155°C-311°F	F 155°C-311°F	F 155°C-311°F	F 155°C-311°F	F 155°C-311°F	F 155°C-311°F
Motor Protection temp.	130°C	130°C	130°C	130°C	130°C	130°C	130°C	130°C
<b>Overall Dimensions</b>								
Dia. x w x h (mm)	Ø183 x 217x380	Low Head Ø217 x 310x475 Medium Head Ø217 x 310x500	Ø317 x 310x475	Ø277 x 330x708	Low Head Ø277 x 330x760 Medium Head Ø312x 330x810	Ø360 x 410x915	Ø410 x 452x1080	Ø600 x 600x1435
Dia. x w x h (inch)	Ø7.2 x 8.5x15	Low Head Ø8.5 x 12.2x18.7 Medium Head Ø8.5 x 12.2x19.7	Ø8.5 x 12.2x18.7	Ø10.9 x 13x27.9	Low Head Ø10.9x 13x30 Medium Head Ø12.2x 13x32	Ø14.1 x 16.1x36	Ø16.1 x 17.8x42.5	Ø23.6 x 23.6x56.5
Weight excl. cable Kg.  (lbs)	12.5 (27.5)	20 (44.1)	25 (55)	55-(121) Low/Med Head 63-(139) For 4156-57	55-(121) Low/Med Head 63-(139) For 4066-67	95 (210)	180 (397)	510 (1125)

**Cutting Costs Without Cutting Quality.**

**DELTA** Pompen B.V. – Rigaweg 17 - 9723 TE Groningen - The Netherlands  
Tel.: +31 (0)50-2072380 info@wedapump.com www.wedapump.com